

Datenblatt

BenQ DVY23 Video Conference Webcam

- 20x optical zoom
- Multiple interface HDMI, SDI, LAN, USB3.0
- RTMP / RTSP network protocol



Modell : DVY23
Art. Nr. / EAN Code : 5.J.F7314.003 / 471 8755 08447 8

Camera Parameter	Image Sensor	1/2.8 inch high quality HD CMOS sensor
	Effective Pixels	16: 9, 2.07 megapixel
	Optical / Digital Zoom	20x / 10x
	View Angle	f=5.5~110mm
	AV	3.3"/54.7", F1.6 – F3.5
	Pan/Tilt Rotation	±170°, -30°~+90°
	Pan/Tilt Control Speed	0.1 -100°/sec, 0.1-45°/sec
	Preset Speed	Pan: 100°/sec, Tilt: 45°/sec
	Minimum Illumination	0.5Lux (F1.8, AGC ON)
	Focus/Aperture/Electronic Shutter	Auto/Manual/One Push Focus
	Iris / Shutter	Auto/Manual
	BLC	ON/OFF
	White Balance	Auto /Manual/OnePush/3000K/3500K/4000K/4500K/5000K/5500K/6000K/6500K/7000K
	Video Adjustment	Brightness, Color, Saturation, Contrast, Sharpness,B/W mode, Gamma curve
	WDR	OFF/Dynamic level adjustment
	DNR	2D & 3D DNR
SNR	>55dB	
Input/Output Interface	Video Interfaces	HDMI, LAN(POE), USB3.0(Type B compatible USB2.0), A-IN, RS232, RS422(compatible with RS485), Dial Code, Power Switch
	Video Output	HDMI, SDI, LAN, USB3.0
	Video Compression Format	LAN Interface: H.265, H.264, Dual stream output: USB3.0 Interface: YUY2, MJPEG, H.264, NV12, H.265 (main stream), YUY2, MJPEG, H.264, NV12 (slave stream)
	Audio Input Interface	Double track 3.5mm linear input
	Audio Output Interface	HDMI, SDI, LAN
	Audio Compression Format	AAC/MP3/G.711A
	LAN Port	10M/100M/1000M adaptive Ethernet port, support POE, audio and video output
	Network Protocol	RTSP, RTMP, ONVIF, GB/T28181, Support network VISCA control protocol
Control Interface	RS232-IN, RS232-OUT, RS422 (compatible with RS485)	
USB Communication Protocols:	UVC, UAC	
Other Parameter	Input Voltage	DC12V±10%
	Input Current	1A (max)
	Power	12W (max)
	Store Temperature	-10°C~+60°C
	Store Humidity	20%~95%
	Working Temperature	-10°C~+50°C
	Working Humidity	20%~80%
	Dimension	181mm x 115.5mm x 150mm
Weight	1.38kg	

Änderungen vorbehalten

Letzte Änderung am 11.12.2020

Aktuelle Datenblätter unter: www.BenQ.de, www.BenQ.at und www.BenQ.ch

BenQ Deutschland GmbH, Essener Straße 5, 46047 Oberhausen

BenQ Deutschland GmbH, Niederlassung Österreich, Wehlstraße 27b/Stg. 2 DG/ Top5, 1200 Wien

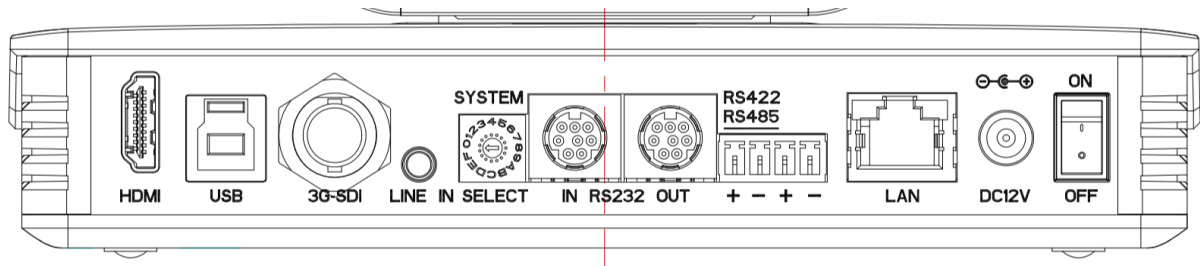
BenQ Deutschland GmbH, Oberhausen, Zweigniederlassung Baden, Täferstrasse 32, 5405 Baden-Dättwil



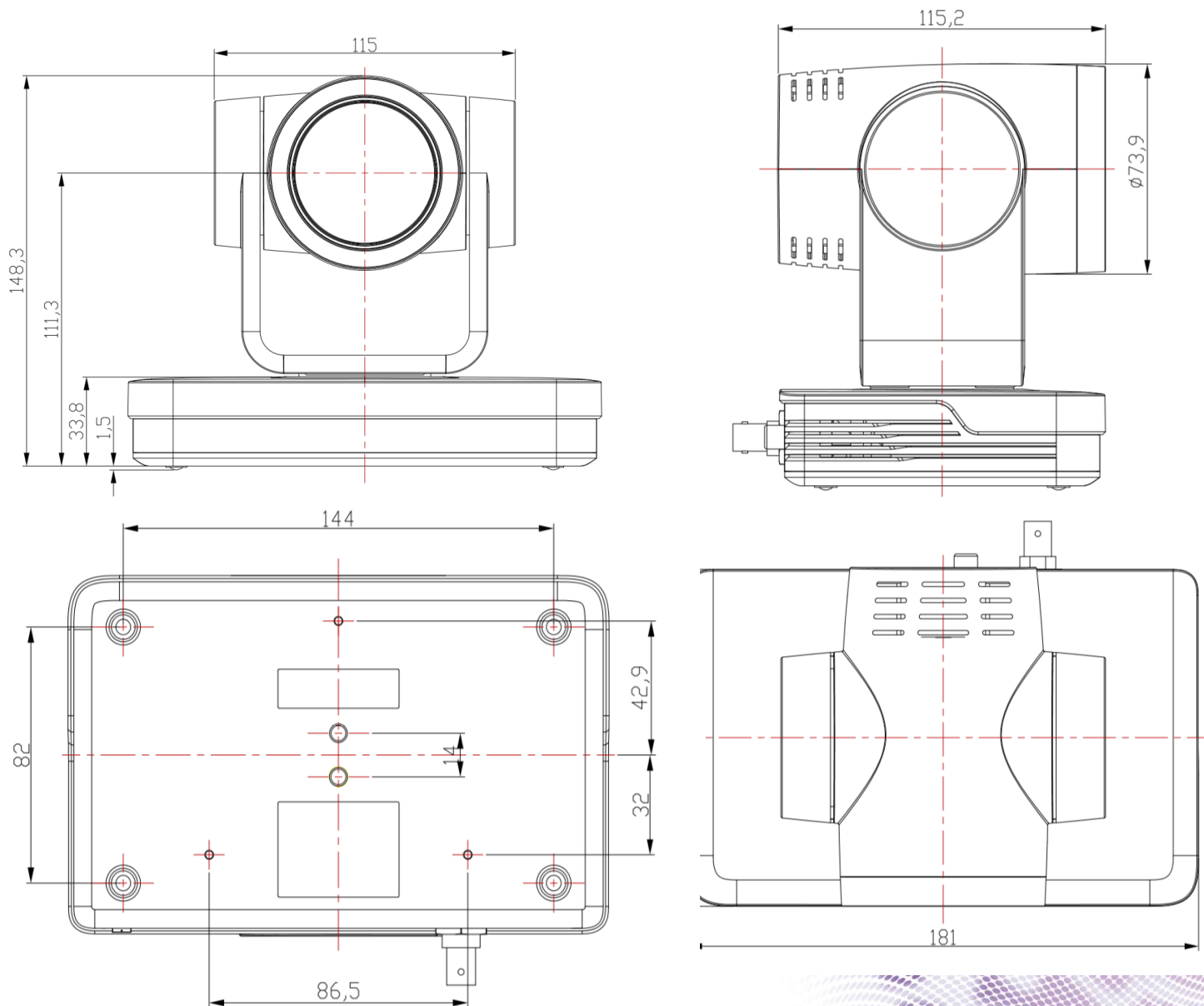
Because it matters

Datenblatt

Input/Output Terminals



Dimension



Änderungen vorbehalten
 Letzte Änderung am 11.12.2020
 Aktuelle Datenblätter unter: www.BenQ.de, www.BenQ.at und www.BenQ.ch
 BenQ Deutschland GmbH, Essener Straße 5, 46047 Oberhausen
 BenQ Deutschland GmbH, Niederlassung Österreich, Wehlstraße 27b/Stg. 2 DG/ Top5, 1200 Wien
 BenQ Deutschland GmbH, Oberhausen, Zweigniederlassung Baden, Täfernstrasse 32, 5405 Baden-Dättwil



Because it matters