



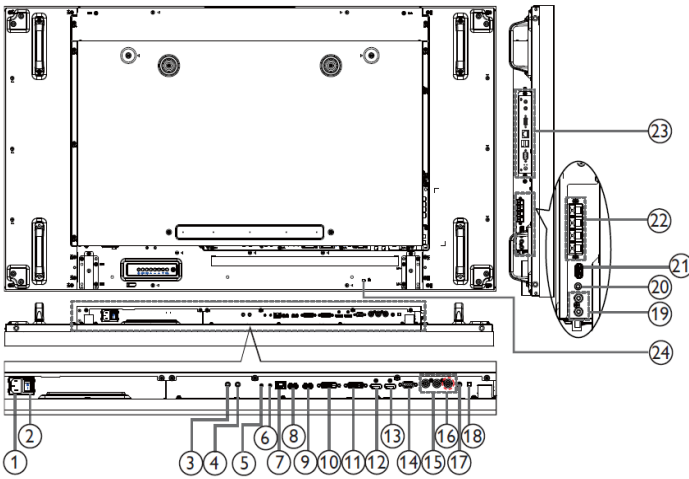
**Model Name** **PL490 Digital Signage**  
**Unique selling point**

- \*Super Slim Bezel (Bezel to Bezel Only 3.5mm)
  - \*PID Panel (FHD 1920\*1080) for 50,000 hrs Non-Stop Operation
  - \*Support Both Landscape & Protrait Installation
  - \*4K 2x2 Video Wall by DP Digital Daisy Chain (via DPL1a Daisy Chain)
  - \*4K Content Creation Support by BenQ X-sign SW
  - \*Multiple Display Administrator by LAN or RS232 (MDA, Remote Control with Failure Alert System)
  - \*Color Calibration (Automated Uniformity Correction for Video Walls)
  - \*Easy Content Distribution with scheduling (FHD by each, via USB flash drive)
  - \*Play Multimedia via Ethernet (DLNA) (FHD by each, via LAN)
  - \*Great expandability by OPS Slot (with DVI Daisy Chain)
- \* Note: DP Daisy chain to 15\*15 without splitter.  
 DP with HDCP up to 7th monitor  
 DVI Daisy chain to 5\*5 without splitter,  
 DVI with HDCP up to 7th monitor  
 Analog Daisy chain to 3\*3 without splitter  
 Under DLNA, Display quality depend on network bandwidth

<b>Panel</b>	<b>Screen Diagonal</b>	49"	
	<b>Backlight</b>	LED	
	<b>Resolution</b>	FHD 1920 x 1080 (pixels)	
	<b>Aspect Ratio</b>	16 : 9	
	<b>Brightness</b>	450 nits	
	<b>Dynamic Contrast Ratio</b>	1,300:1	
	<b>Viewing Angle</b>	178 degree (H) / 178 degree (V)	
	<b>Color gamut (x% NTSC)</b>	72%	
	<b>Frame Rate</b>	60Hz	
	<b>Response Time</b>	8ms	
	<b>Panel bit</b>	10 bit, 1.06 B colors	
	<b>Light life</b>	50,000 hrs (typ.)	
	<b>Orientation</b>	Portrait/Landscape	
	<b>Panel Surface</b>	AG (3H, Haze1%)	
<b>Interface</b>	<b>Input/Output</b>	Power (AC) In/ Out	X / No
		Audio line-in/ Out (3.5mm)	X / X1
		Composite video In/ Out (BNC)	X / No
		Component In/ Out (YPbPr, RCA)	X / No
		D-sub In/ Out	X / No
		HDMI (Type A ) in/ Out	X 2/ No
		DVI-D In/ DVI-I Out	X / X1
		DisplayPort In/ Out	X / X1
		RJ45 In/ Out	X / No
		RS232 In/ Out	X / X1
	USB (Type A)	X1	
<b>Others</b>	AC power switch	X1	
<b>Mechanical</b>	<b>Dimensions(W x H x D)</b>	1077.6(W)x607.8(H)x103.8(D) mm	
	<b>Bezel Width (T/B/L/R)</b>	2.3/1.2/2.3/1.2 mm	
	<b>Weight (without packing)</b>	21.6/33.3 kg	
<b>Power</b>	<b>Power supply</b>	100 V ~ 240 V, 50 Hz / 60 Hz	
	<b>Power consumption (Typical)</b>	110W	
<b>OSD</b>	<b>On-Screen Display Languages</b>	21 Languages: English / German / Dutch / French / Italian / Spanish / Russian / Polish / Simplified Chinese / Arabic / Japanese / Traditional Chinese / Czech /Danish / Swedish / Romanian / Finnish / Norwegian / Greek / Korea/ Thailand	
<b>Software</b>	<b>Color Calibration support</b>	Yes	
	<b>Multiple Display Control (MDA) support</b>	Yes	
	<b>X-Sign</b>	Yes	
<b>Accessories</b>	<b>Standard</b>	Remote Control (w/o Battery)	Yes
		Power Cord (by region)	Yes
		Quick Start Guide	Yes
		D-sub/HDMI/DP Cable	Yes
		IR Extender Cable	Yes
		RS232 Cable & Loop Cable	Yes
		Audio Cable	Yes
	GAP Inspection Pads	Yes	
	<b>Optional</b>	Edge Finishing Kits	Yes
		X-rite color meter (for Color Calibration SW)	Yes

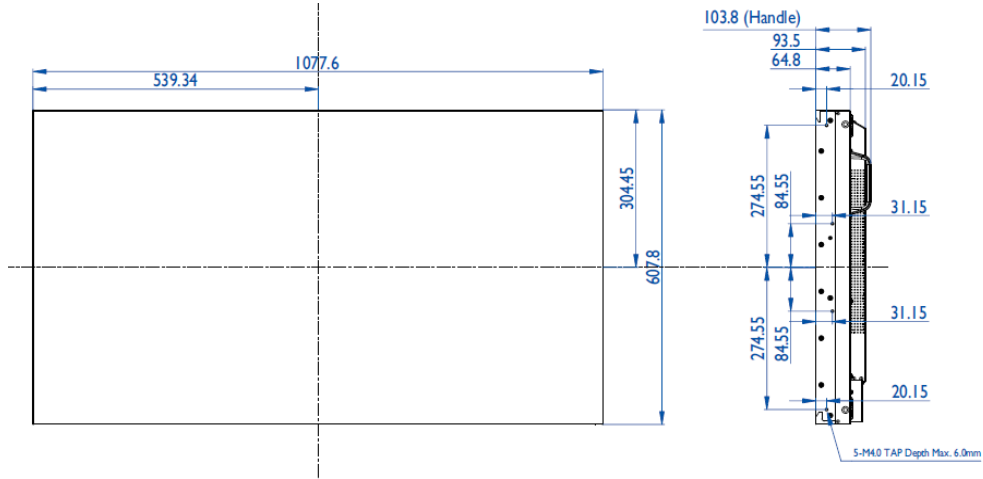
# PL490 Digital Signage

## Input/Output Terminals



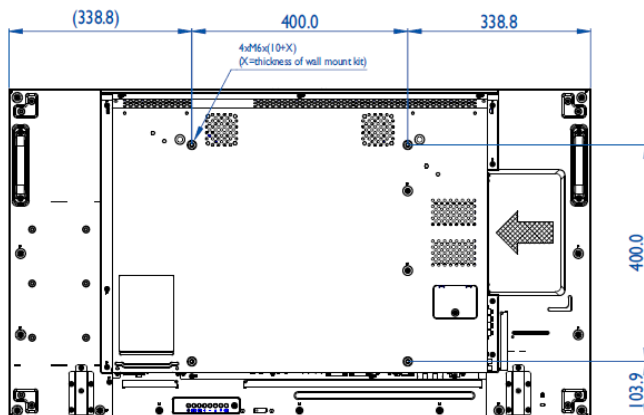
- ① **AC IN**  
AC power input from the wall outlet.
- ② **MAIN POWER SWITCH**  
Switch the main power on/off.
- ③ **IR IN** / ④ **IR OUT**  
IR signal input / output for the loop-through function.
- NOTES:**
  - This display's remote control sensor will stop working if the jack [IR IN] is connected.
  - To remotely control your AV device via this display, refer to page 15 for IR Pass Through connection.
- ⑤ **RS232C IN** / ⑥ **RS232C OUT**  
RS232C network input / output for the loop-through function.
- ⑦ **RJ-45**  
LAN control function for the use of remote control signal from control center.
- ⑧ **HDMI1 IN** / ⑨ **HDMI2 IN**  
HDMI video/audio input.
- ⑩ **DVI IN**  
DVI-D video input.
- ⑪ **DVI OUT / VGA OUT**  
DVI or VGA video output.
- ⑫ **DisplayPort IN** / ⑬ **DisplayPort OUT**  
DisplayPort video input / output.
- ⑭ **VGA IN (D-Sub)**  
VGA video input.
- ⑮ **COMPONENT IN (BNC)**  
Component 1PbPr video source input.
- ⑯ **Y/CVBS**  
Video source input.
- ⑰ **PC LINE IN**  
Audio input for VGA source (3.5mm stereo phone).
- ⑱ **SPEAKER SWITCH**  
Internal speaker on/off switch.
- ⑲ **AUDIO IN**  
Audio input from external AV device (RCA).
- ⑳ **AUDIO OUT**  
Audio output to external AV device.
- ㉑ **USB PORT**  
Connect your USB storage device.
- ㉒ **SPEAKERS OUT**  
Audio output to external speakers.
- ㉓ **OPS SLOT**  
Slot for installing the optional OPS module.
- ㉔ **SECURITY LOCK**  
Used for security and theft prevention.

## Dimension (mm)



Front side

Side view



Back side

