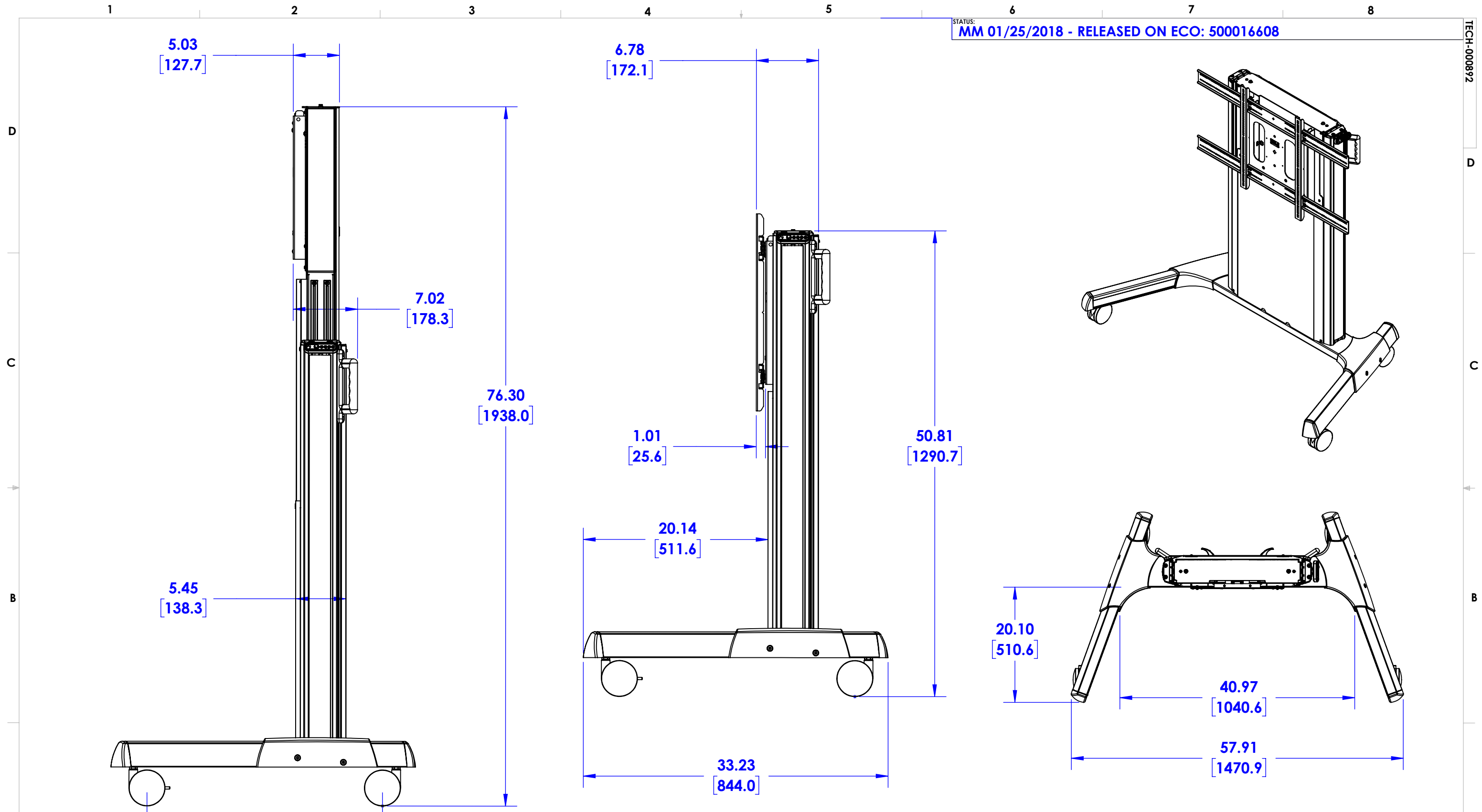


THE INFORMATION AND DESIGNS CONTAINED IN THIS DRAWING ARE CONFIDENTIAL AND THE PROPRIETARY PROPERTY OF MILESTONE AV TECHNOLOGIES NEITHER THIS DESIGN NOR ANY INFORMATION CONTAINED IN THIS DRAWING MAY BE REPRODUCED OR DISCLOSED TO OTHERS WITHOUT THE EXPRESS WRITTEN CONSENT OF MILESTONE AV TECHNOLOGIES.

CAD GENERATED DRAWING, DO NOT MANUALLY UPDATE.			CHIEF 6436 CITY WEST PKWY EDEN PRAIRIE MN, 55344 PHONE: 866-977-3901 FAX: 877-894-6918
DRAWN BY	MM	1/11/2018	
ENG APPROVAL			DESCRIPTION XPD1U, ELECTRIC HEIGHT ADJUST CART
MFG APPROVAL			MODEL NO. XPD1U
QA APPROVAL			SIZE DWG. NO. REV. B TECH-000892 00
SHEET 1 OF 2			SCALE 1:10



THE INFORMATION AND DESIGNS CONTAINED IN THIS DRAWING ARE CONFIDENTIAL AND THE PROPRIETARY PROPERTY OF MILESTONE AV TECHNOLOGIES NEITHER THIS DESIGN NOR ANY INFORMATION CONTAINED IN THIS DRAWING MAY BE REPRODUCED OR DISCLOSED TO OTHERS WITHOUT THE EXPRESS WRITTEN CONSENT OF MILESTONE AV TECHNOLOGIES.

CAD GENERATED DRAWING, DO NOT MANUALLY UPDATE.			6436 CITY WEST PKWY EDEN PRAIRIE MN, 55344 PHONE: 866-977-3901 FAX: 877-894-6918	
DRAWN BY	MM	1/11/2018		
ENG APPROVAL			DESCRIPTION XPD1U, ELECTRIC HEIGHT ADJUST CART	
MFG APPROVAL			MODEL NO. XPD1U	
QA APPROVAL			REV. 00	
SHEET 2 OF 2		SCALE 1:10	SIZE B	DWG. NO. TECH-000892